



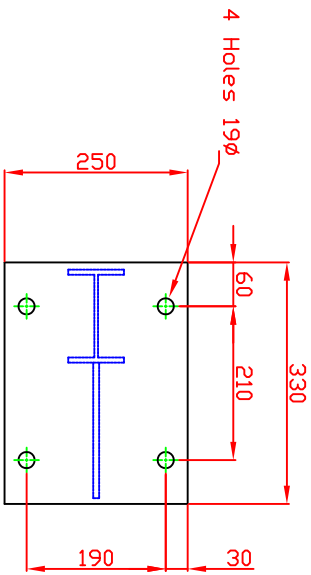
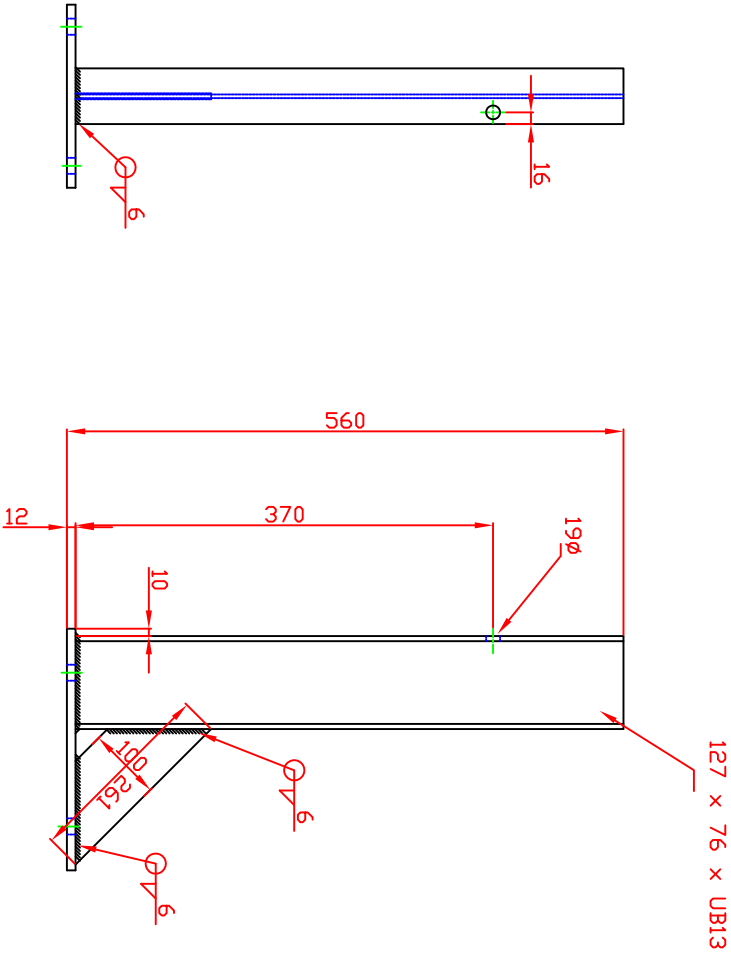
*These drawing are uncontrolled copies and should be used for information purposes only. Job specific drawing should be requested prior to setting out.*


**IF IN DOUBT PLEASE ASK**

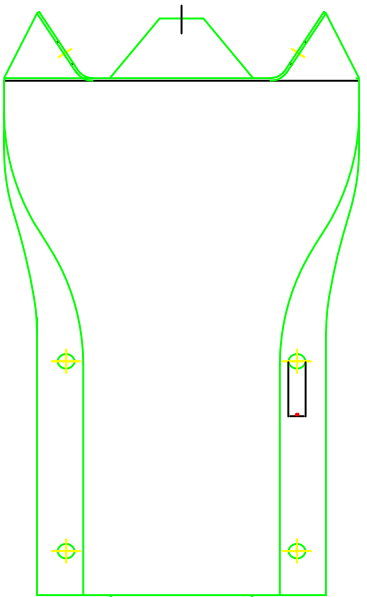
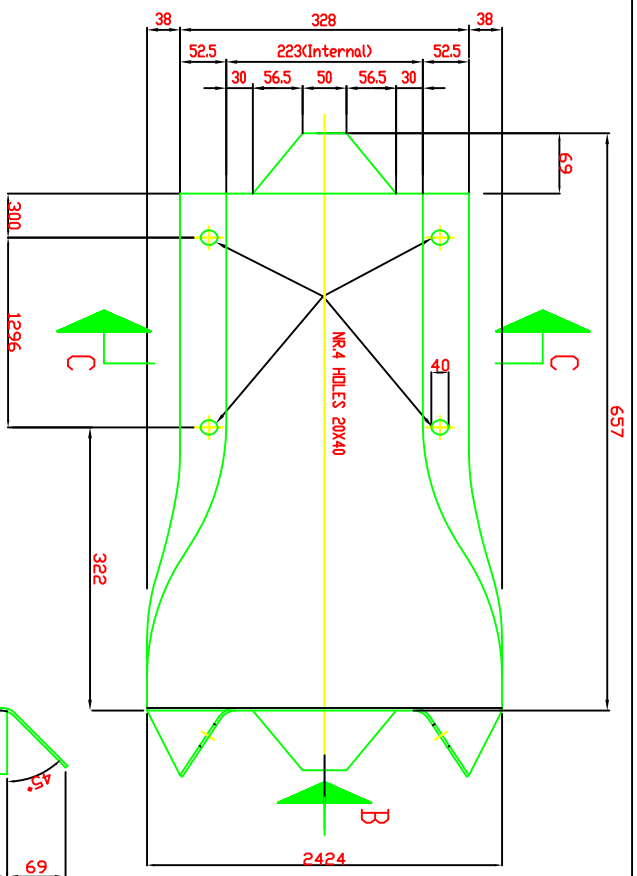
Trade Barriers Limited  
Safety House  
Aire and Calder Ind Pk  
Castleford  
West Yorkshire  
WF10 2JA

Tel: 01977 555535

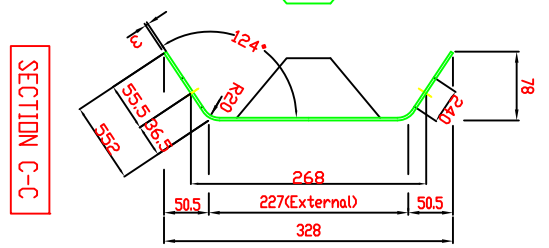
Fax: 01977 555351



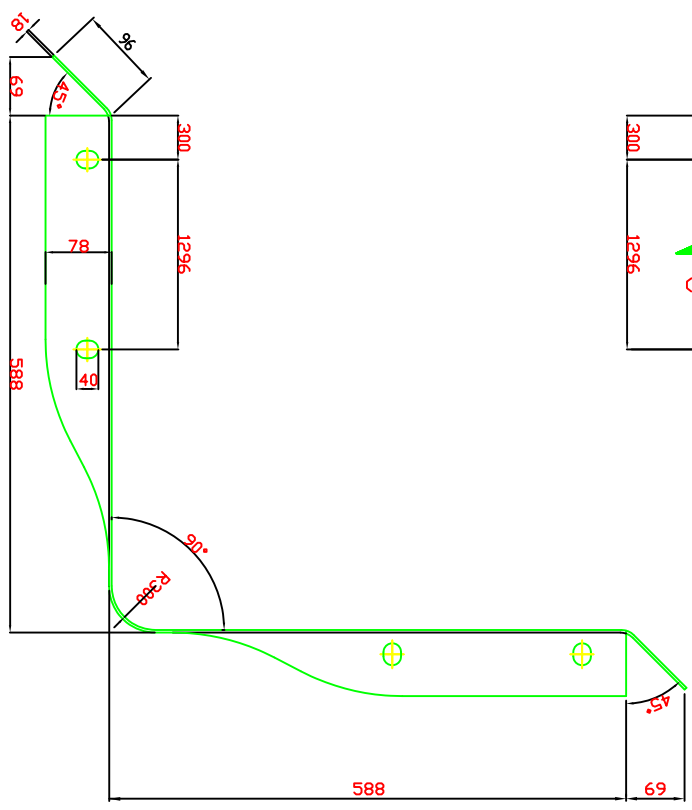
 <p>SAFETY HOUSE, AIRE AND CALDER JOB PK TEL: 01977 355528 FAX: 01977 355531</p>	Material:	Finish:	Drawn	Checked	Date	Issue	127 x 76 x UB13 Deck Post 'L' Long	Item No	Drawing No
	Galv Holes	Where Required							
		Up to 400 +2, 0 401 to 800 +4, 0 801 and over +6, 0			12 Dec 07			SBD H/D	SBDS60/HD




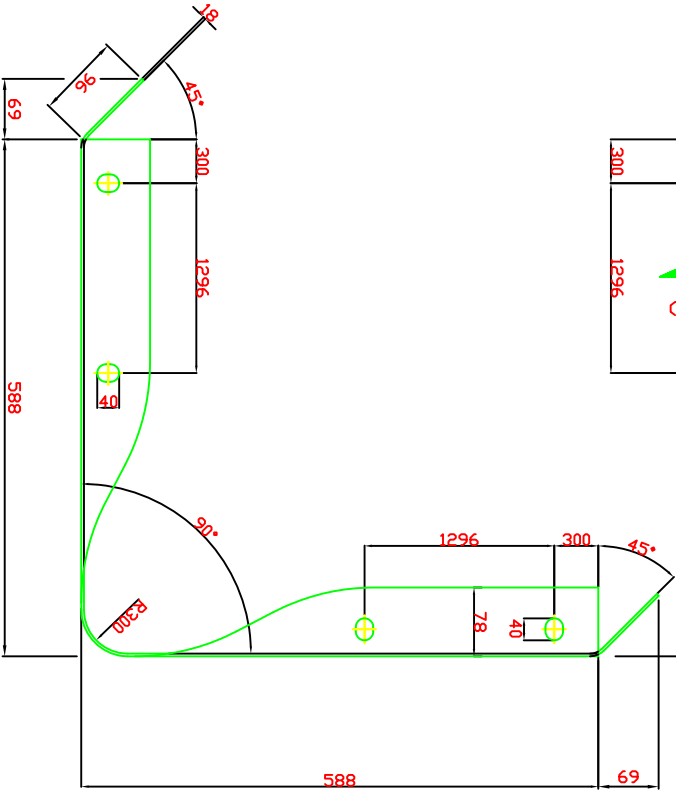
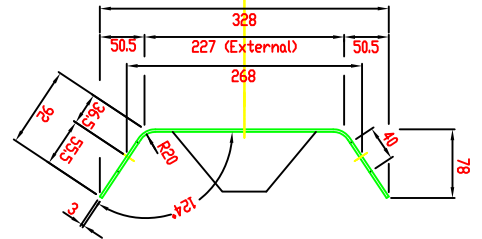
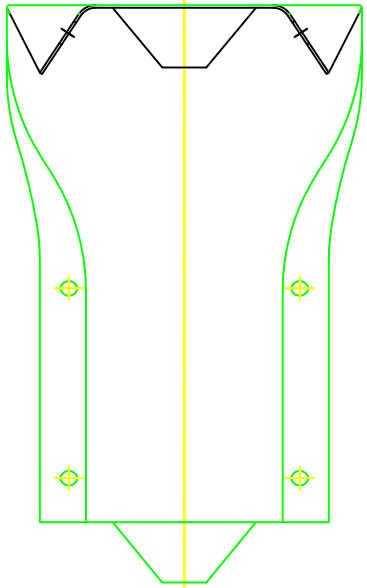
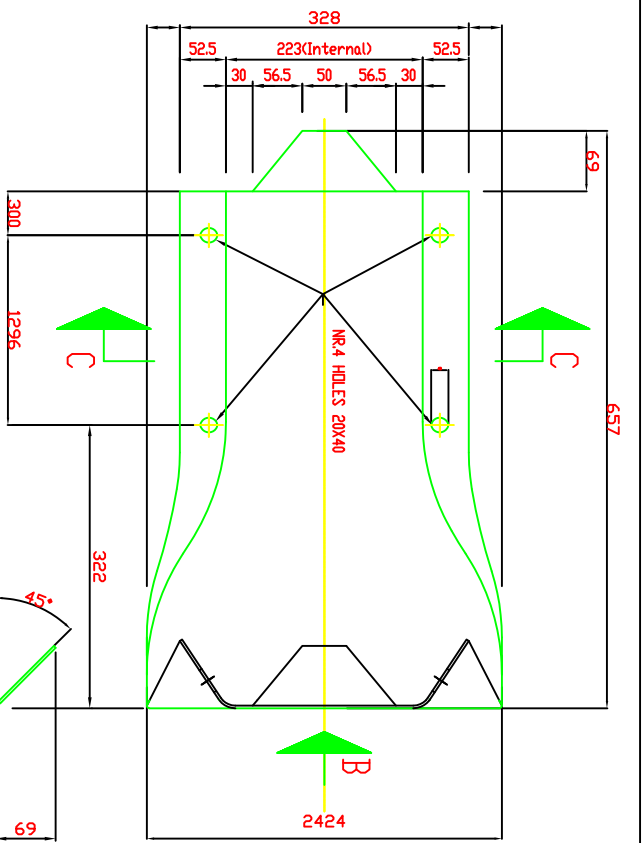
VIEW 'B'




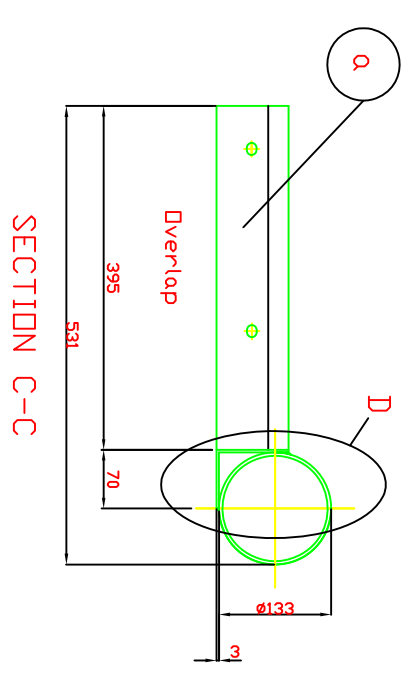
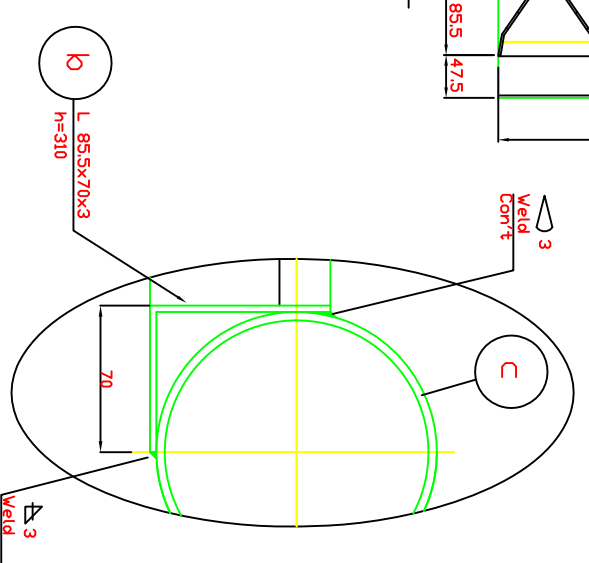
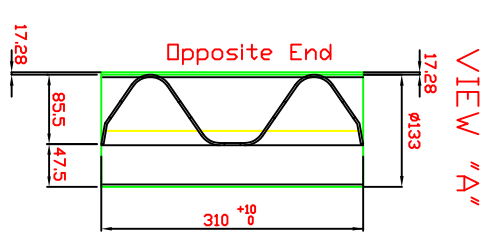
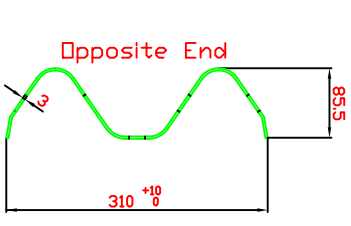
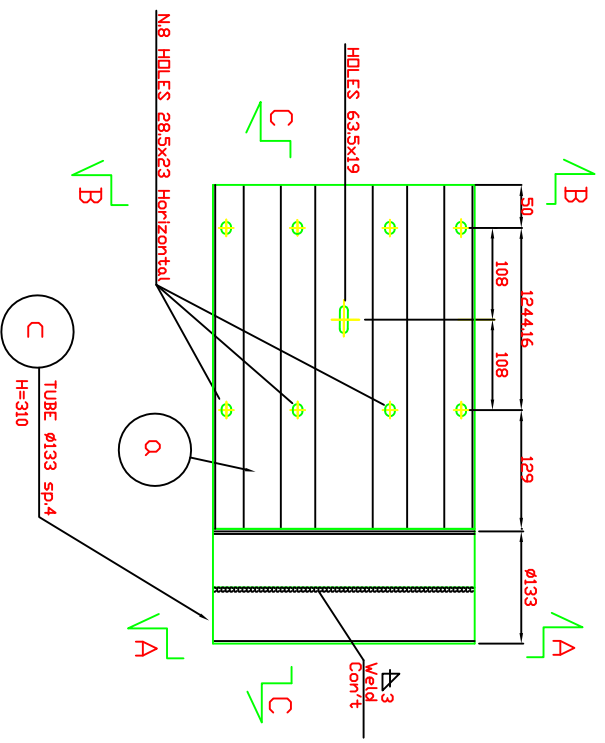
SECTION C-C




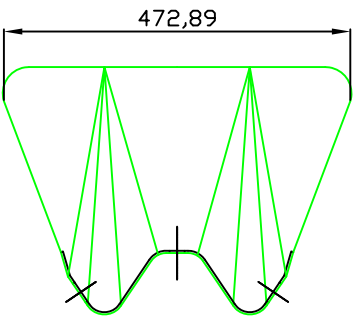
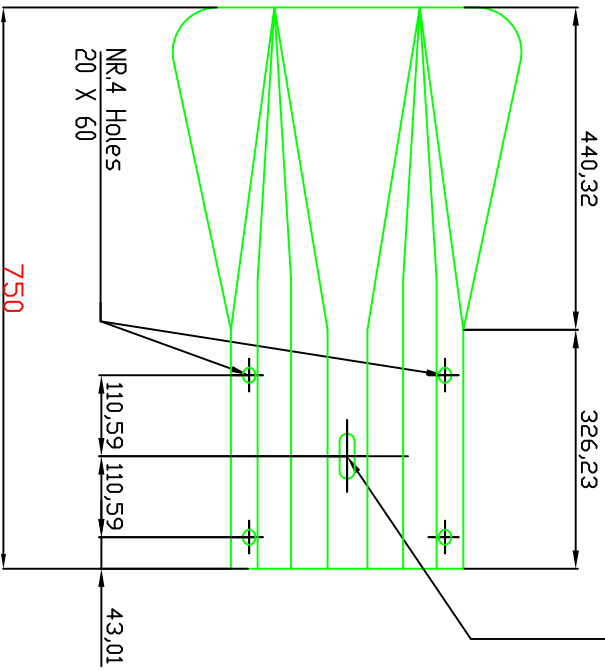
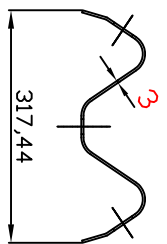
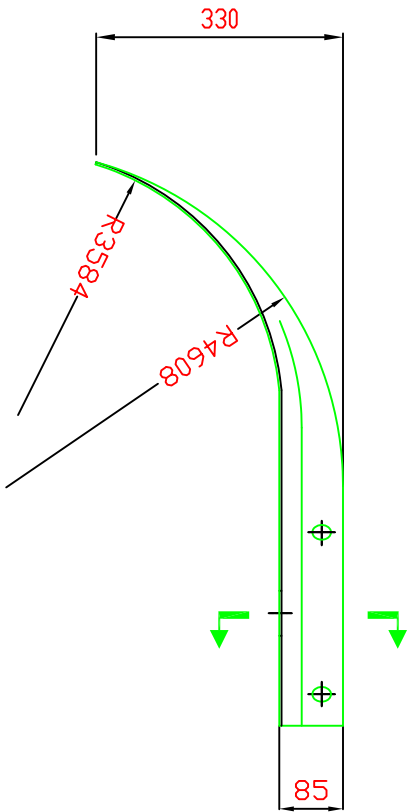
		<b>Material:</b> Galv Holes Where Required Tolerances: Up to 400 +2, 0 401 to 800 +4, 0 801 and over +6, 0		<b>Finish:</b>		<b>Drawn:</b> PRG		<b>Checked:</b>		<b>Date:</b> 12 Dec 07		<b>Issue:</b>		Internal Corner		<b>Item No:</b>		<b>Drawing No:</b>	
																SBDAS/CINT		SBDAS/CINT	



		SAFETY HOUSE, ANNE AND PALMER DR PK TEL: 0877 35552 FAX: 0877 35551							
Material:	Galv Holes Where Required	Finish:	Drawn	Checked	Date	Issue	External Corner	Item No	Drawing No
Tolerances: Up to 400 +2, 0 401 to 800 +4, 0 801 and over +6, 0			PRG		12 Dec 07			SBD44/CEXT	SBD44/CEXT

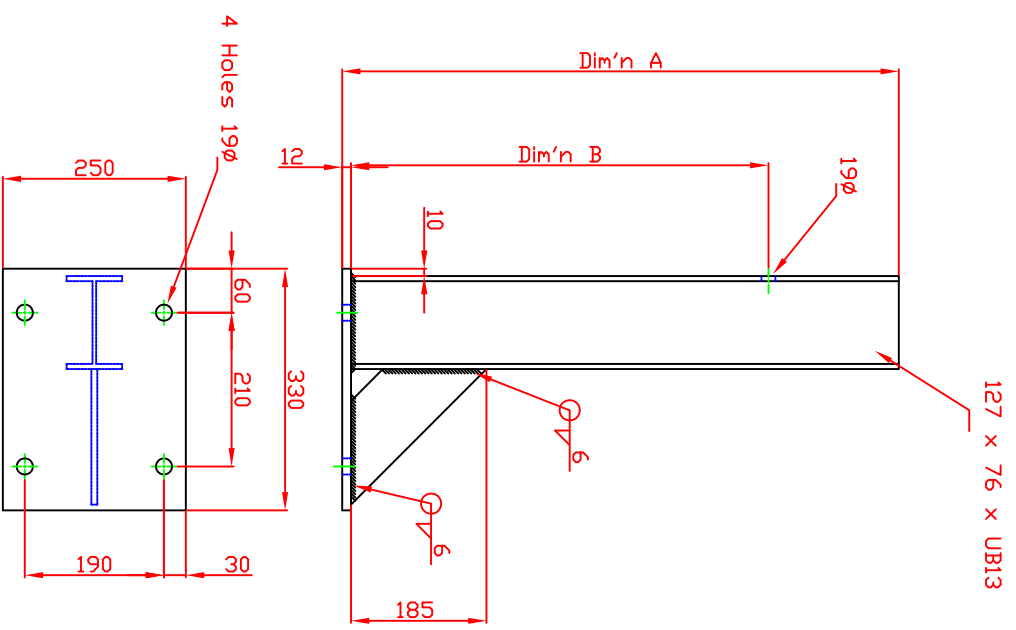
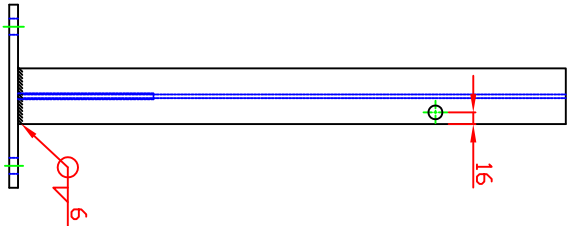


		Material:		Finish:		Drawn:		Checked:		Date:		Issue:		Pedestrian End		Item No:		Drawing No:	
Tolerances: Up to 400 $\pm 2, 0$ 401 to 800 $\pm 4, 0$ 801 and over $\pm 6, 0$		Galv Holes Where Required				PRG		12 Dec 07								SBD/PE		SBD/PE	



HOLE 20 X 60

Material: Calv Holes Where Required		Finish:		Drawn:		Checked:		Date:		Issue:		Fish Tail Ends		Item No:		Drawing No:	
Tolerances: Up to 400 +2, 0 401 to 800 +4, 0 801 and over +6, 0				PRG				12 Dec 07						SBD1/FT		SBD1/FT	
SAFETY HOUSE, AIRE AND GALERIE PK TEL: 0977 35528 FAX: 0977 35521																	



Drng No	Type	Dim'n A	Dim'n B
SBD560H/D	P224-1	560	370
SBD760H/D	P224-2	760	570
SBD900H/D	P224-3	900	810
SBD1000H/D	P224-5	1000	810
SBD1100H/D	P224/6	1100	910
SBD1200H/D	P224-7	1200	1010
SBD1260H/D	P224-8	1260	1070
SBD1300H/D	P224-4	1300	1110

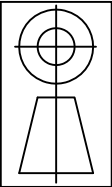
**NOTE**  
 The actual cut length of the leg is minus 12mm from Dim A to allow for the footplate.



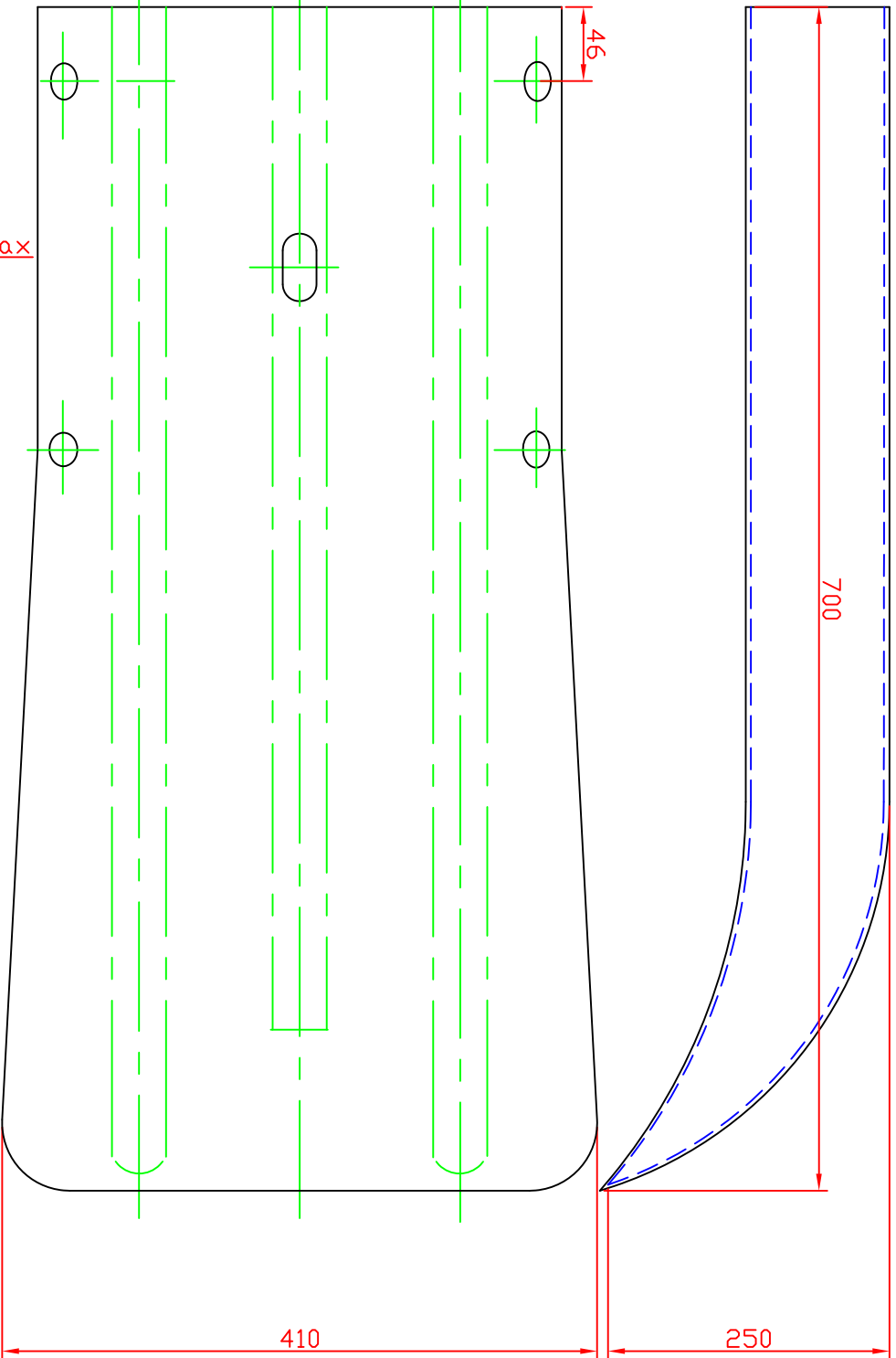
Material:	Finish:	Drawn:	Checked:	Date:	Issue:
Galv Holes		PRG		12 Dec 07	
Tolerances:					
Up to 400 +2, 0					
401 to 800 +4, 0					
801 and over +6, 0					

127 x 76 x UB13  
 Deck Post 'L' Long

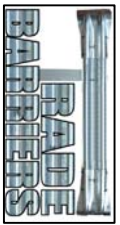
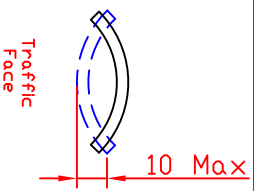
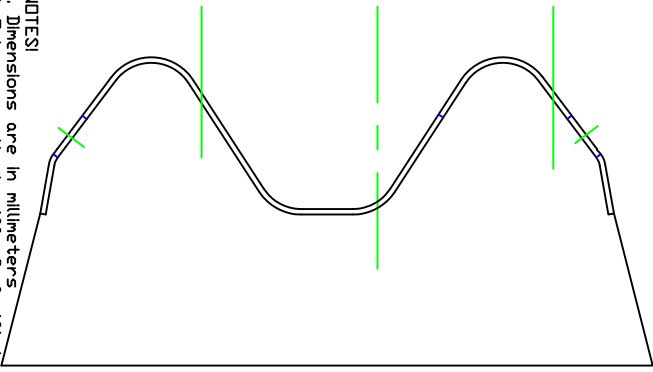
Item No	Drawing No
SBD H/D	SBD/HD/BD



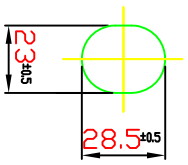
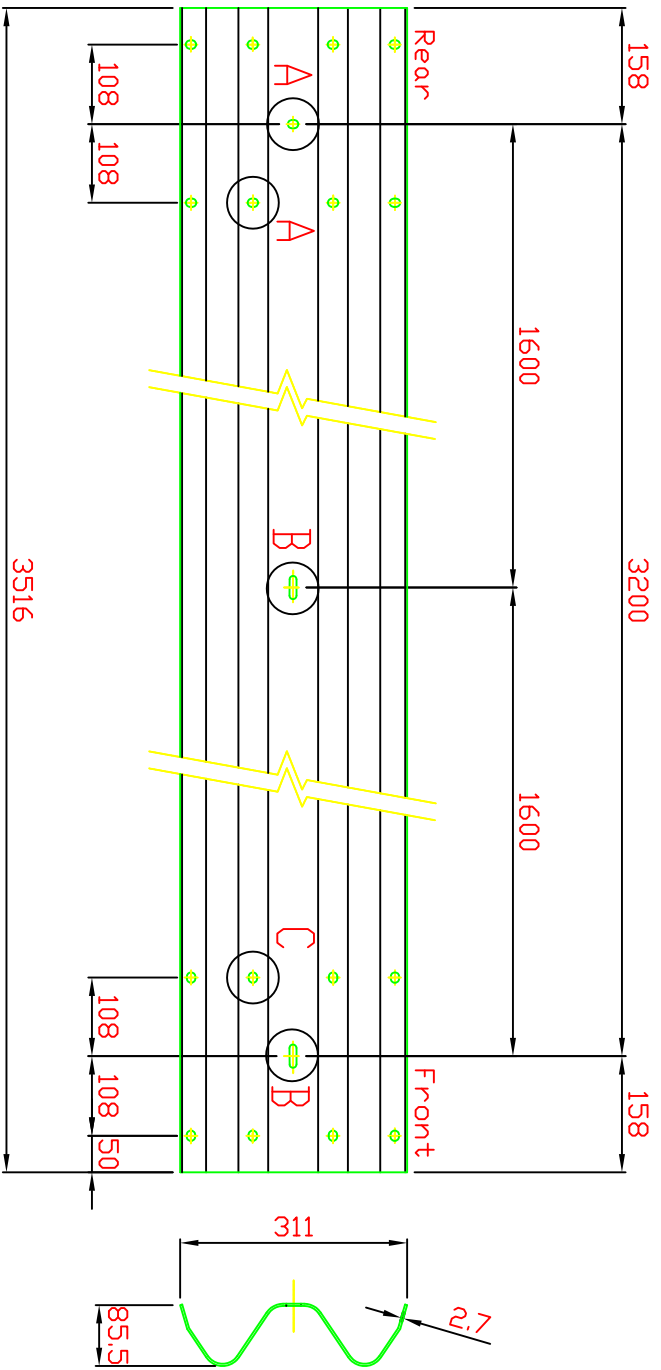
Material Type	Mat'l Size	Qty
BS EN 10	C/Barrier	1



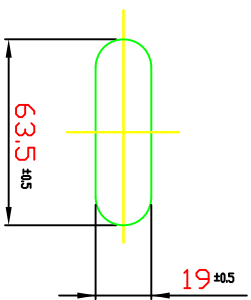
- NOTES:
1. Dimensions are in millimeters
  2. Tolerances: Up to 400 +2, 0; 401 to 800 +4, 0; 801 and over +6, 0. Except where otherwise stated
  3. Remove all burrs and sharp edges
  4. Durably mark manufacturers I.D. and date, tolerance shown
  5. Traffic face of beam to be straight within than+/-1.
  6. The sections of the beam profile between radii shall not deviate from a straight line by more than+/-1.



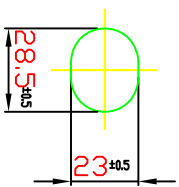
Material:	BS EN 10	Finish:	S/C	Drawn	Date	Issue	Standard Terminal Fish tail		Item No	Drawing No
Tolerance:	Up to 400 +2, 0 401 to 800 +4, 0 801 and over +6, 0			P.G.	09/06/05	1			SBD48	SBD48/FT




Hole "A"  
Fixing

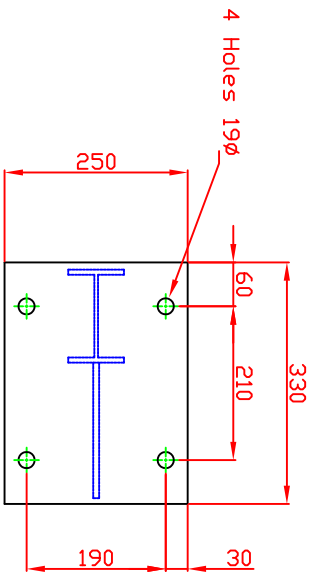
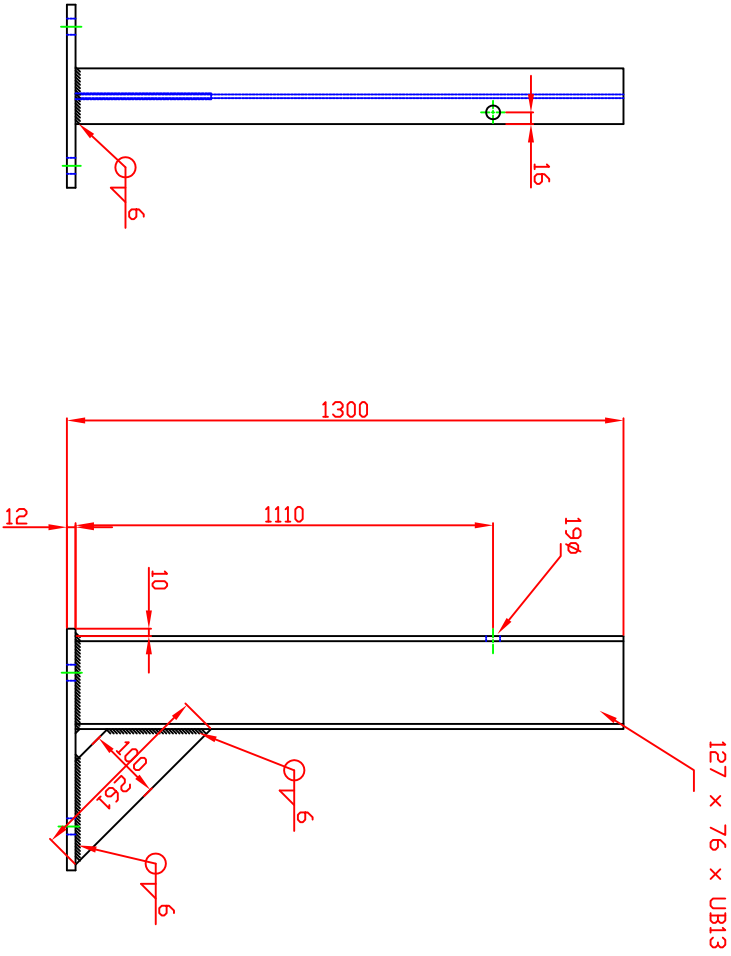



Hole "B"  
Fixing



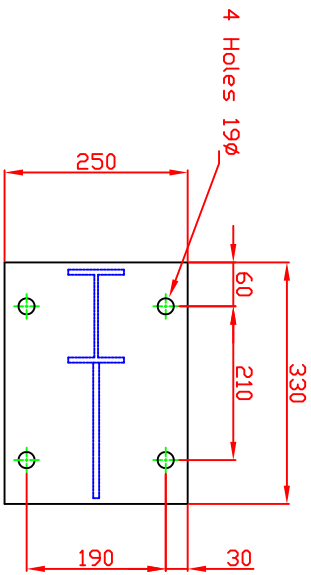
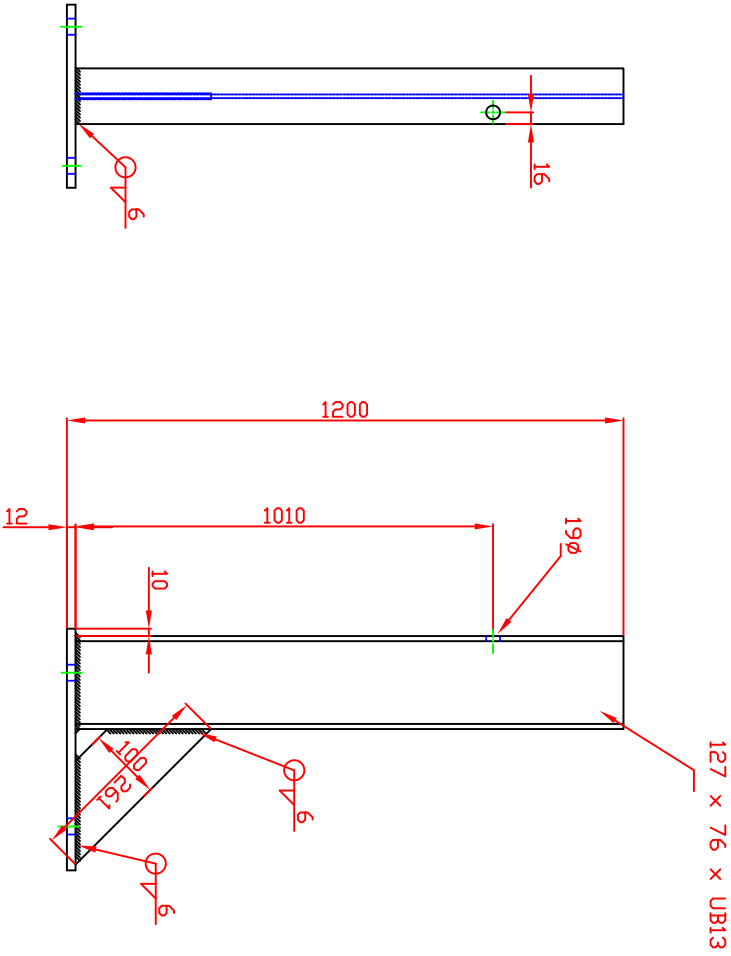
Hole "C"  
Fixing


		SAFETY HOLES, ANGLE AND GALVANIZED PK TEL: 0877 555528 FAX: 0877 555531	
Material:	Galv Holed	Finish:	
Tolerances:	Where Required	Drawn	Checked
Up to 400	+2, 0	PRG	12 Dec 07
401 to 800	+4, 0		
801 and over	+6, 0		
3500mm rail		Issue	
Item No	SBD/BR	Item No	SBD/BR
		Drawing No	

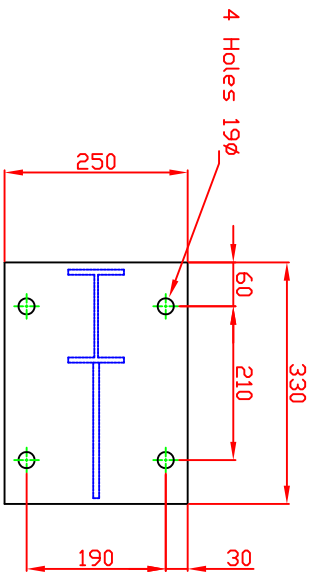
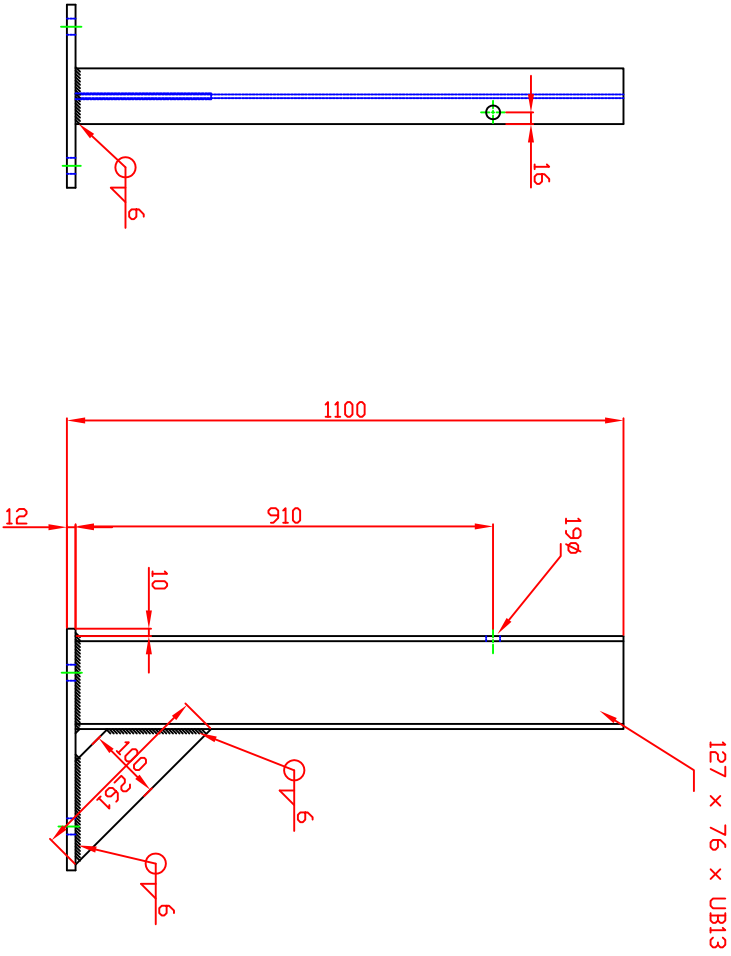


	Material:	Finish:	Drawn	Checked	Date	Issue	127 x 76 x UB13 Deck Post 'L' Long	Item No	Drawing No
	Galv Holes Where Required		PRG		12 Dec 07			SBD H/D	SBD1300H/D
Tolerances:									
Up to 400 +2, 0									
401 to 800 +4, 0									
801 and over +6, 0									





 SAFETY HOUSE, AIR AND PALER RD PK TEL 0877 35528 FAX 0877 35531	Material:	Finish:	Drawn	Checked	Date	Issue	127 x 76 x UB13 Deck Post 'L' Long	Item No	Drawing No
	Galv Holes Where Required								
Tolerances:									
Up to 400 +2, 0									
401 to 800 +4, 0									
801 and over +6, 0									

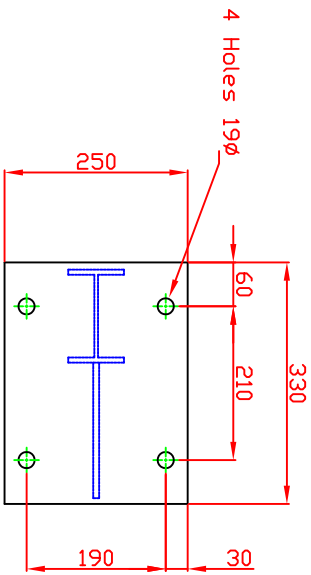
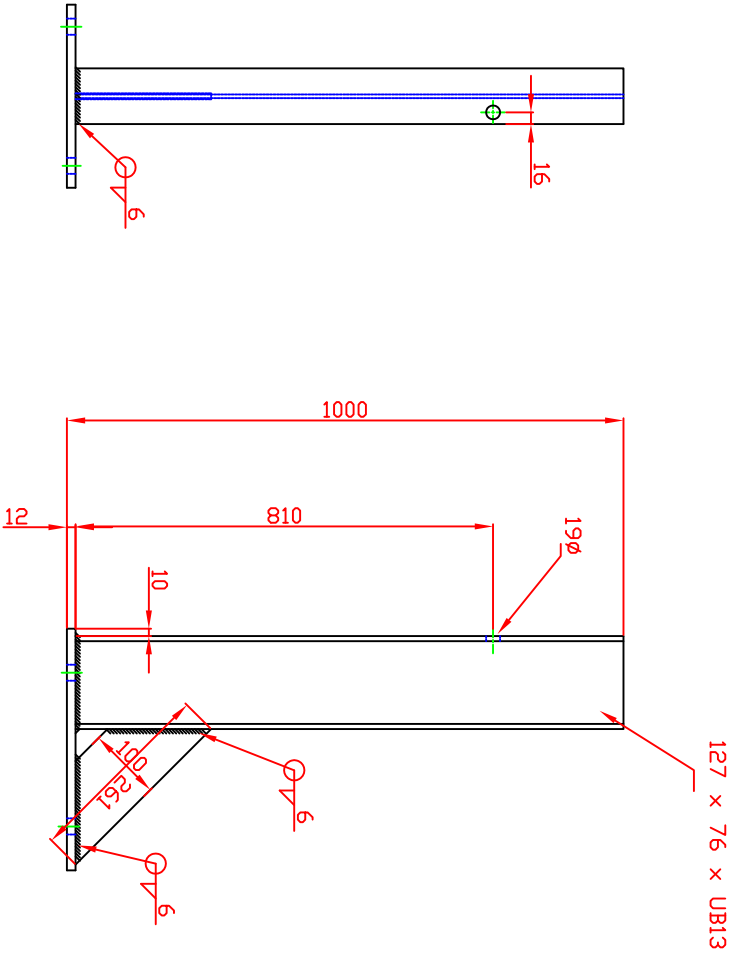



SAFETY HOUSE, AIR AND PALER INC.  
 TEL: 0877 35528 FAX: 0877 35531

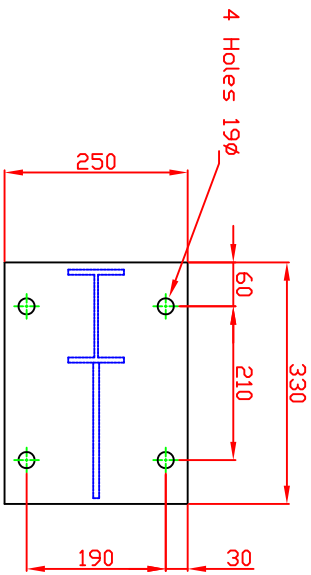
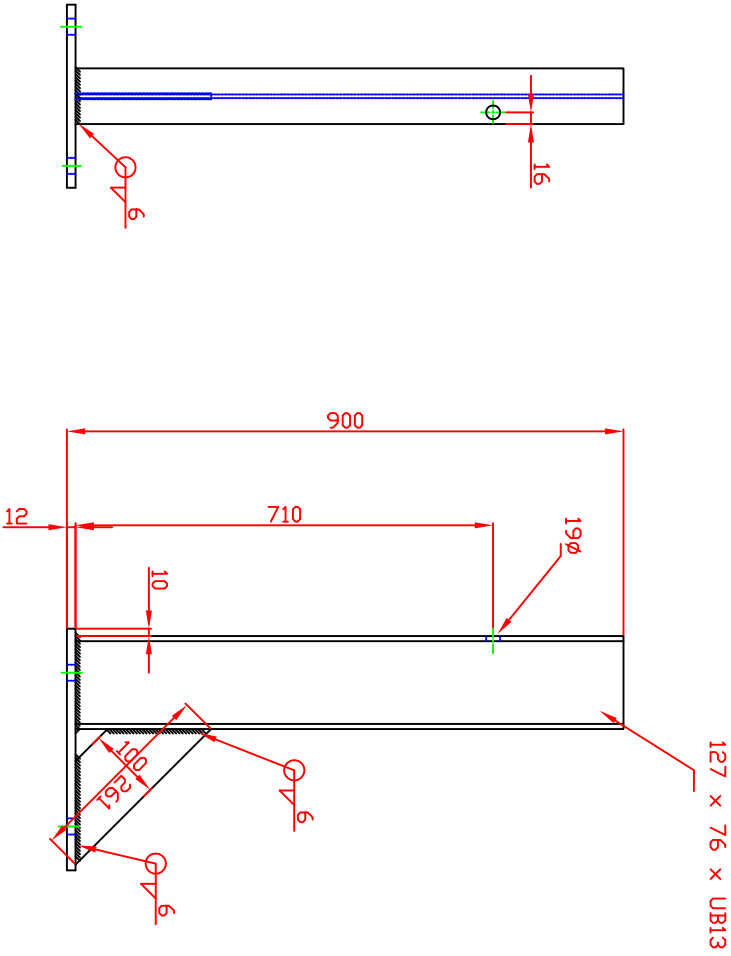
Material:	Galv Holes	Where Required	Finish:	Drawn	Checked	Date	Issue
Tolerances:	Up to 400	+2, 0		PRG		12 Dec 07	
	401 to 800	+4, 0					
	801 and over	+6, 0					


127 x 76 x UB13  
 Deck Post 'L' Long

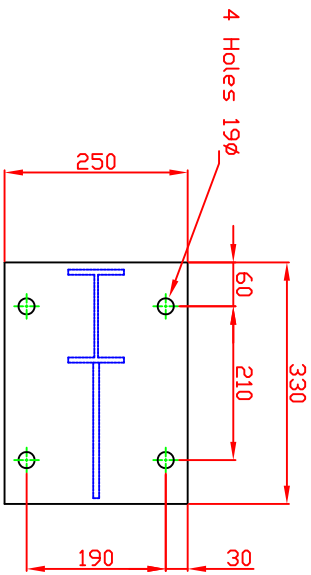
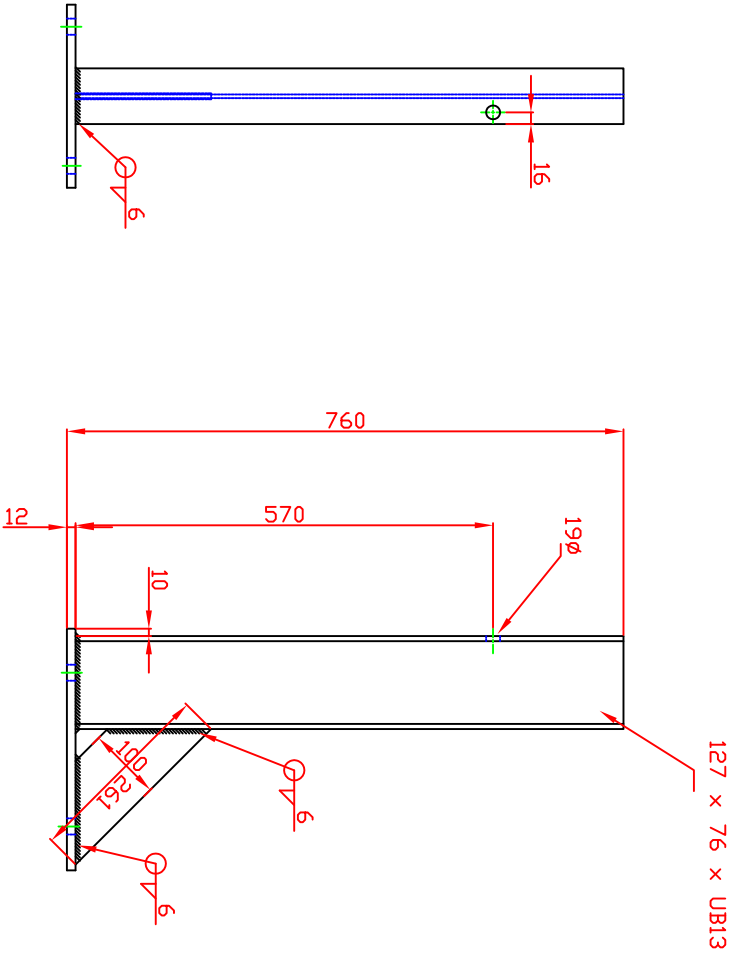
Item No	Drawing No
SBD H/D	SBD1100H/D

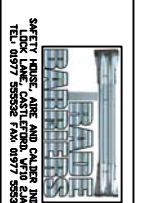


	Material:	Finish:	Drawn	Checked	Date	Issue	127 x 76 x UB13 Deck Post 'L' Long	Item No	Drawing No
	Galv Holes Where Required Tolerances: Up to 400 +2, 0 401 to 800 +4, 0 801 and over +6, 0			PRG		12 Dec 07			SBD H/D



 SAFETY HOUSE, AIRC AND GALVANISED PK TEL: 0877 35552 FAX: 0877 35551	Material:	Finish:	Drawn	Checked	Date	Issue	127 x 76 x UB13 Deck Post 'L' Long	Item No	Drawing No
	Galv Holes								
	Tolerances:		PRG		12 Dec 07			SBD H/D	SBD900/HD
		Up to 400 +2, 0							
		401 to 800 +4, 0							
		801 and over +6, 0							



	Material:	Finish:	Drawn	Checked	Date	Issue	127 x 76 x UB13 Deck Post 'L' Long	Item No	Drawing No
	Galv Holes Where Required		PRG		12 Dec 07			SBD H/D	SBD760/HD
Tolerances:									
Up to 400 +2, 0									
401 to 800 +4, 0									
801 and over +6, 0									





SAFETY HOUSE, AIRC AND GALVANIZING PK.  
 TEL: 0877 255252 FAX: 0877 255251

Material: Galv Holes Where Required

Finish:

Drawn

Checked

Date

Issue

Triple Hole Ped Leg

Item No

Drawing No

Tolerances:

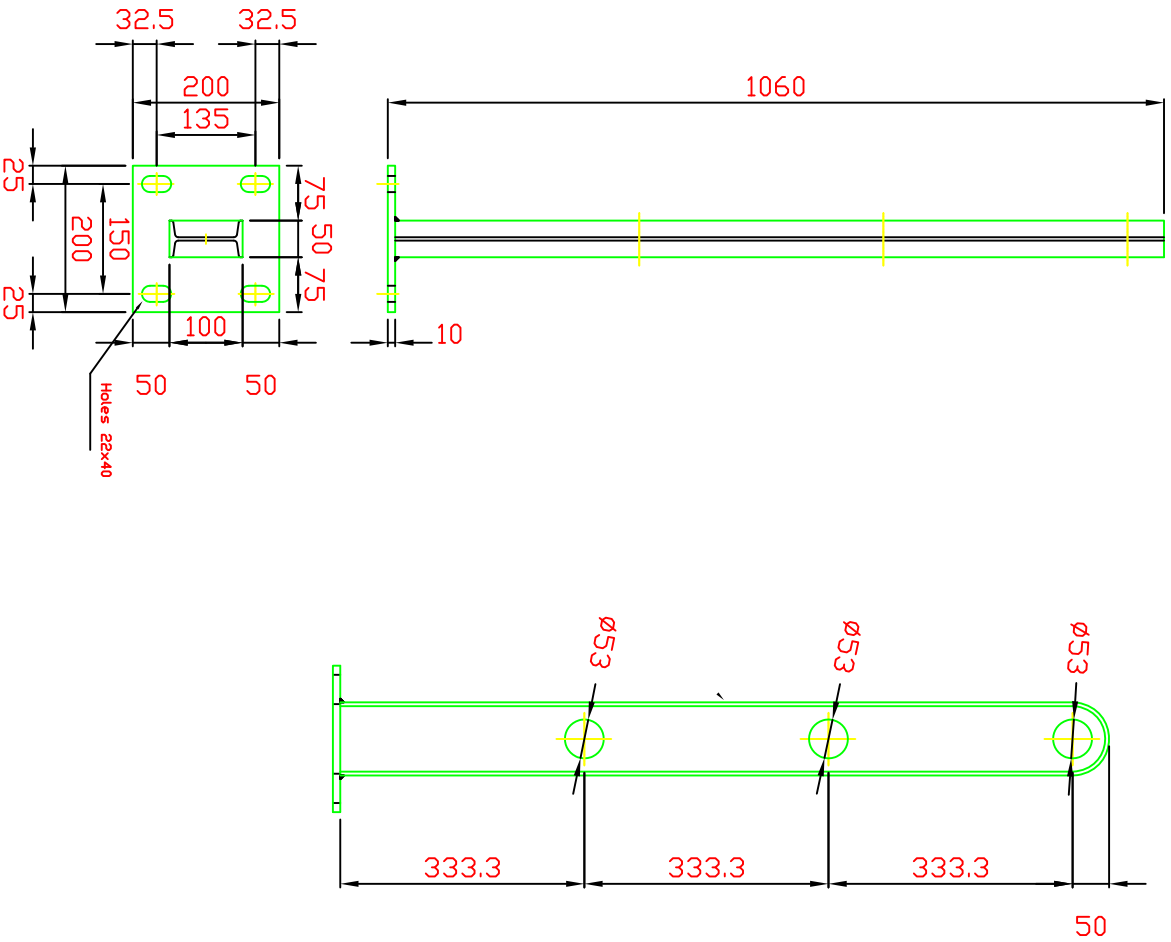
Up to 400 +2, 0  
 401 to 800 +4, 0  
 801 and over +6, 0

PRG

12 Dec 07

SBDP3

SBDP3





SAFETY HOUSE, AIRC AND GALERIE PK  
 TEL: 0877 25528 FAX: 0877 25528

Material: Galv Holes Where Required

Finish:

Drawn PRG

Checked

Date 12 Dec 07

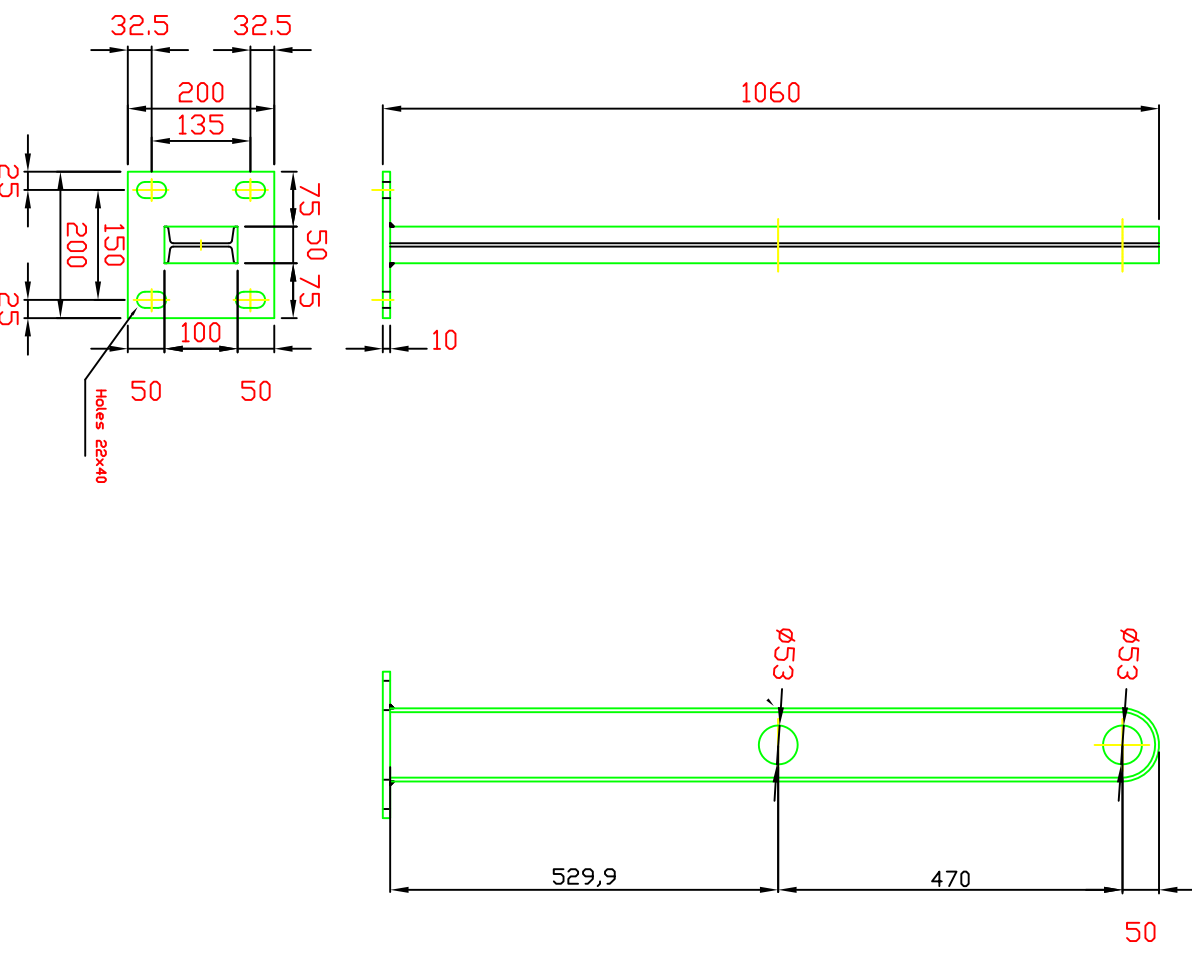
Issue

Triple Hole Ped Leg

Item No SBDP02

Drawing No SBDP2

Tolerances:  
 Up to 400 +2, 0  
 401 to 800 +4, 0  
 801 and over +6, 0



SAFETY HOUSE, AIRC AND GALLERY PK  
 TEL: 01777 355232 FAX: 01777 355251



Material:	Calv Holes Where Required	Finish:
Tolerances:	Up to 400 +2, 0 401 to 800 +4, 0 801 and over +6, 0	

Drawn	Checked	Date	Issue
PRG		12 Dec 07	

Bull Nose		Item No	SBDA6/BN
		Drawing No	SBDA6/BN

